

EN Tracheotomy

DE Tracheotomie

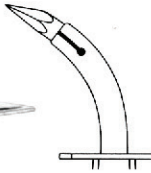
ES Traqueotomía

Page 641 to 650





UCKERMANN
13.0cm



OI 27-7501-07 7.5mm Ø
 OI 27-7501-09 9mm Ø



TROUSSEAU
 OI 27-7502-12 12.0cm
 OI 27-7502-14 14.0cm



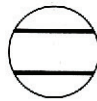
LABORDE
 OI 27-7503-14
 14.0cm



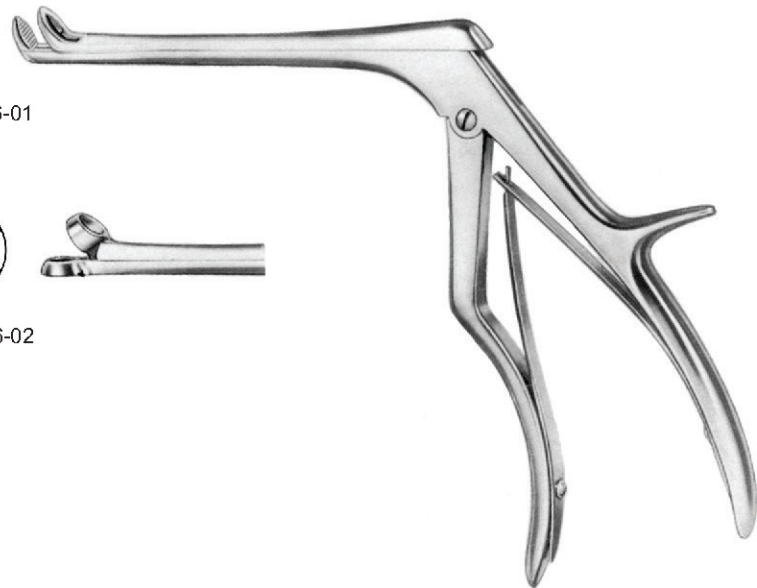
WEERDA
 OI 27-7504-09
 19.0cm



OI 27-7506-01



OI 27-7506-02



BOSE
 OI 27-7505-07
 7.0cm



LUKENS
OI 27-7507-17
17.0cm



JACKSON
OI 27-7508-17
17.0cm



JACKSON
sharp blunt
OI 27-7509-18 18.0cm OI 27-7510-18



OI 27-7511-01 sharp
OI 27-7511-02 blunt
18.0cm



OI 27-7512-01 sharp
OI 27-7512-02 blunt
18.0cm



SCHOENBORN
OI 27-7513-21
21.0cm

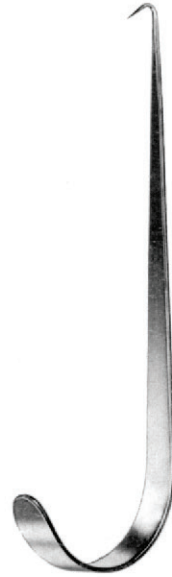




ROSE
OI 27-7514-13
13.0cm



LUER
OI 27-7515-11
11.0cm



JACKSON
OI 27-7516-15
15.0cm



OI 27-7517-15
15.0cm



ITERSON
16.0cm



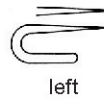
OI 27-7518-01
Sharp



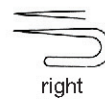
OI 27-7518-02
Blunt



BOSE
OI 27-7519-16
16.0cm



BOSE
OI 27-7520-16
16.0cm



International scale

Fig.	0	1	2	3	4	5	6	7	8	9
Diameter	④	⑤	⑥	⑦	⑧	⑨	⑩	⑪	⑫	⑬mm
Length of outer tube N	45	50	55	60	65	70	75	80	85	90mm



LUER

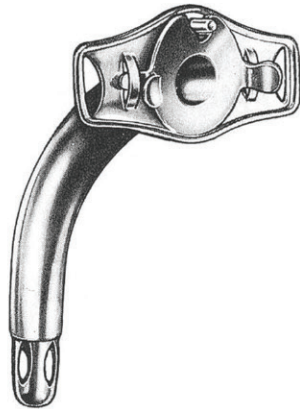
Fig	mmØ	45-90mm	95mm	105mm
0	4			
1	5			
2	6			
3	7			
4	8		OI 27-7522-08	OI 27-7523-08
5	9		OI 27-7522-09	OI 27-7523-09
6	10		OI 27-7522-10	OI 27-7523-10
7	11		OI 27-7522-11	OI 27-7523-11
8	12		OI 27-7522-12	OI 27-7523-12
9	13		OI 27-7522-13	OI 27-7523-13



CHEVALIER-JACKSON

Fig	mmØ	45-90mm
0	4	OI 27-7524-04
1	5	OI 27-7524-05
2	6	OI 27-7524-06
3	7	OI 27-7524-07
4	8	OI 27-7524-08
5	9	OI 27-7524-09
6	10	OI 27-7524-10
7	11	OI 27-7524-11
8	12	OI 27-7524-12
9	13	OI 27-7524-13





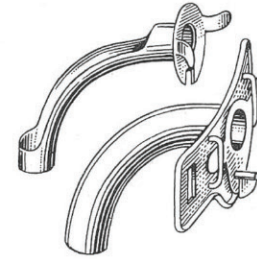
KRISHABER

Fig	mm	
0	4	OI 27-7525-04
1	5	OI 27-7525-05
2	6	OI 27-7525-06
3	7	OI 27-7525-07
4	8	OI 27-7525-08
5	9	OI 27-7525-09
6	10	OI 27-7525-10
7	11	OI 27-7525-11
8	12	OI 27-7525-12



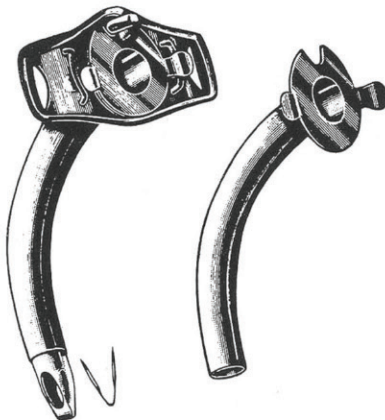
KRISHABER-LUER

Fig	mm	
0	4	OI 27-7526-04
1	5	OI 27-7526-05
2	6	OI 27-7526-06
3	7	OI 27-7526-07
4	8	OI 27-7526-08
5	9	OI 27-7526-09
6	10	OI 27-7526-10
7	11	OI 27-7526-11
8	12	OI 27-7526-12



PARKER

Fig	F.G	
1	16	OI 27-7527-16
2	18	OI 27-7527-18
3	20	OI 27-7527-20
4	22	OI 27-7527-22
5	24	OI 27-7527-24
6	26	OI 27-7527-26
7	28	OI 27-7527-28
8	30	OI 27-7527-30
9	32	OI 27-7527-32



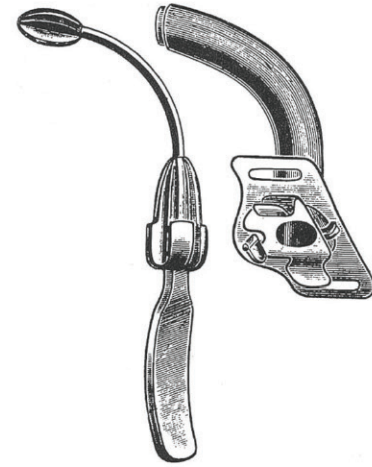
COLLIN

Fig	mm	
0	4	OI 27-7528-04
1	5	OI 27-7528-05
2	6	OI 27-7528-06
3	7	OI 27-7528-07
4	8	OI 27-7528-08
5	9	OI 27-7528-09
6	10	OI 27-7528-10
7	11	OI 27-7528-11
8	12	OI 27-7528-12



FULLER

Fig	F.G	
1	18	OI 27-7529-18
2	20	OI 27-7529-20
3	22	OI 27-7529-22
4	24	OI 27-7529-24
5	26	OI 27-7529-26
6	28	OI 27-7529-28
7	30	OI 27-7529-30
8	32	OI 27-7529-32



CUBLEY

Fig	F.G	
1	16	OI 27-7530-16
2	18	OI 27-7530-18
3	20	OI 27-7530-20
4	22	OI 27-7530-22
5	24	OI 27-7530-24
6	26	OI 27-7530-26
7	28	OI 27-7530-28
8	30	OI 27-7530-30
9	32	OI 27-7530-32

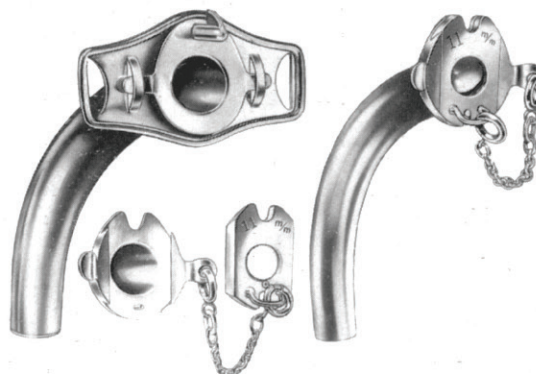
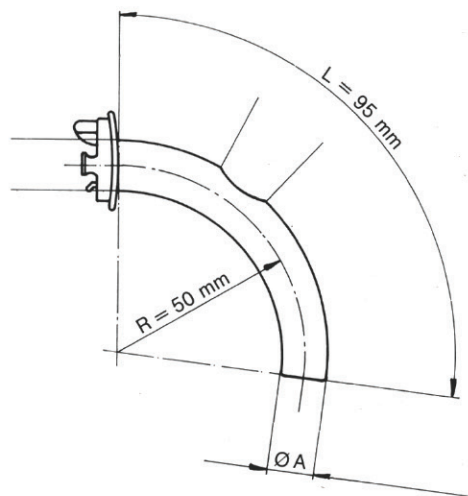
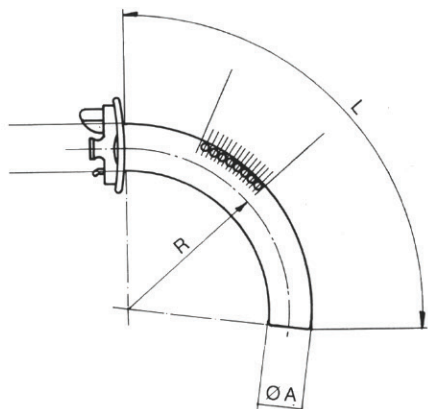
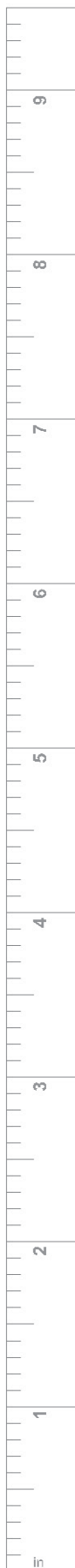


Fig		ØA	L	R
0	OI 27-7531-08	8	65	36.5
1	OI 27-7531-09	9	70	29
2	OI 27-7531-10	10	75	40.5
3	OI 27-7531-11	11	80	41.5
4	OI 27-7531-12	12	85	43
5	OI 27-7531-13	13	90	47.5

Fig		ØA	L	R
0	OI 27-7532-08	8	95	50
1	OI 27-7532-09	9	95	50
2	OI 27-7532-10	10	95	50
3	OI 27-7532-11	11	95	50
4	OI 27-7532-12	12	95	50
5	OI 27-7532-13	13	95	50



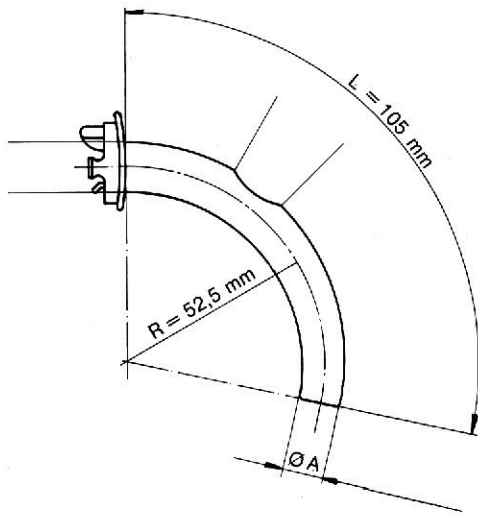


Fig		ØA	L	R
0	OI 27-7533-08	8	105	52.5
1	OI 27-7533-09	9	105	52.5
2	OI 27-7533-10	10	105	52.5
3	OI 27-7533-11	11	105	52.5
4	OI 27-7533-12	12	105	52.5
5	OI 27-7533-13	13	105	52.5

12mm Ø



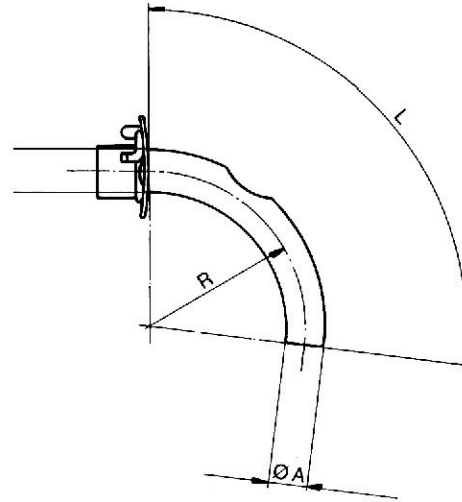
OI 27-7534-26
26.0cm



WAGENER-MOSHER
20.0cm

- OI 27-7535-05 5mm Ø
- OI 27-7535-07 7mm Ø
- OI 27-7535-09 9mm Ø



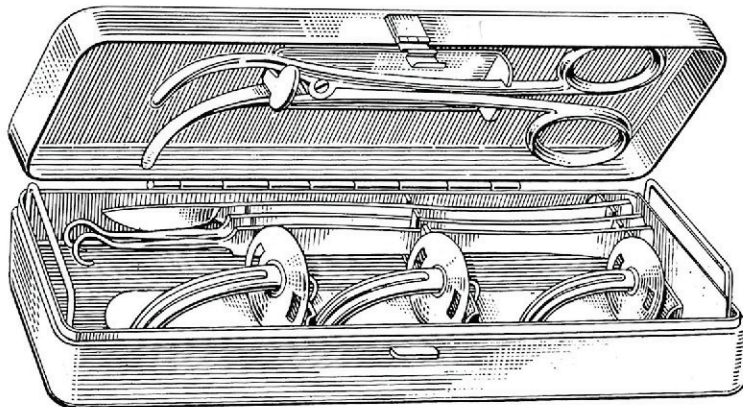


KOENIG

Fig	mmØ	50-80mm
1	5	OI 27-7536-05
2	6	OI 27-7536-06
3	7	OI 27-7536-07
4	8	OI 27-7536-08
5	9	OI 27-7536-09
6	10	OI 27-7536-10
7	11	OI 27-7536-11

Fig		ØA	L	R
0	OI 27-7537-08	8	65	36.5
1	OI 27-7537-09	9	70	39
2	OI 27-7537-10	10	75	40.5
3	OI 27-7537-11	11	80	41.5
4	OI 27-7537-12	12	85	43
5	OI 27-7537-13	13	90	47.5





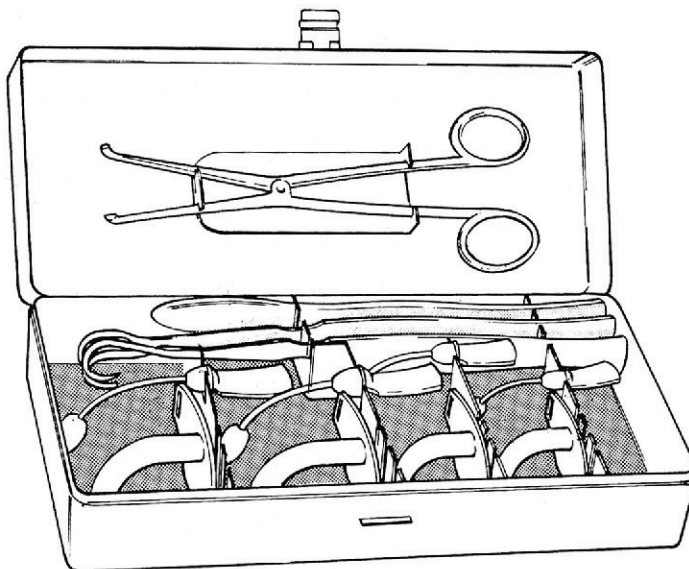
OI 27-7538-00

TRACHEOTOMY SET

OI 27-7538-00

complete in stainless steel case comprising:

- Fuller tracheotomy tube, 18
- Fuller tracheotomy tube, 22
- Fuller tracheotomy tube, 26
- Tracheal hook, sharp
- Tracheal hook, blunt
- Scalpel, stainless, 3cm
- Trousseau, tracheal, dilating forcep



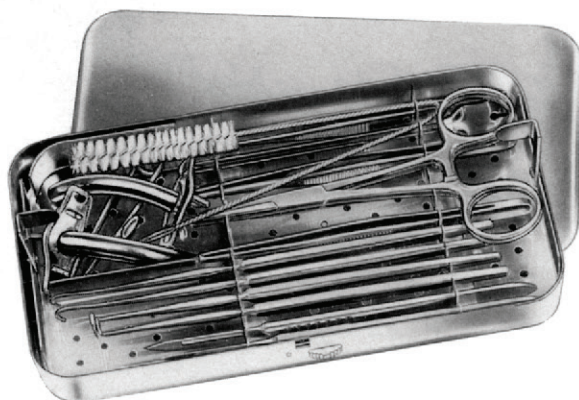
OI 27-7539-00

TRACHEOTOMY SET

OI 27-7539-00

complete in stainless steel case comprising:

- Parker tracheotomy tube, 18
- Parker tracheotomy tube, 22
- Parker tracheotomy tube, 24
- Parker tracheotomy tube, 26
- Tracheal hook, sharp.
- Tracheal hook, double blunt.
- Scalpel, stainless, 3cm
- Trousseau, tracheal, dilating forcep



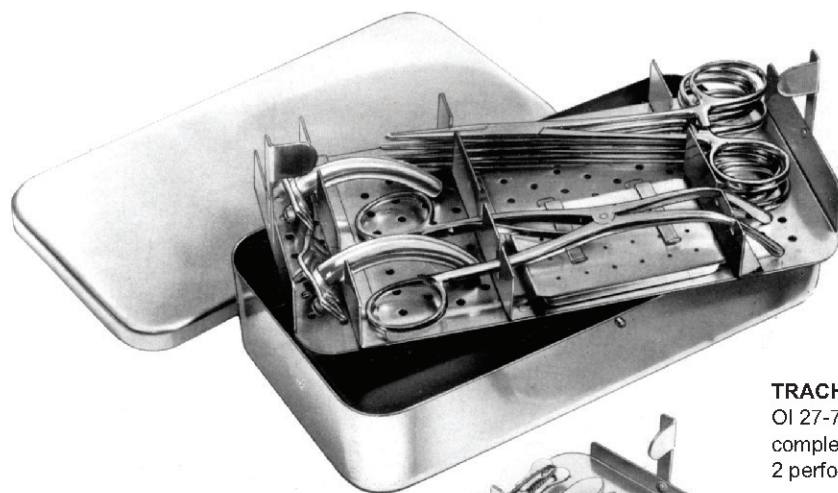
OI 27-7540-00
 200 x 105 x 30mm

TRACHEOTOMY SET

OI 27-7540-00

complete in metal case, consisting of:

- 1 Handle with 1 blade, Fig. 20
- 1 Handle with 1 blade, Fig. 23
- 1 Thumb forceps, 13.0cm
- 1 Tissue forcep, 13.0cm 1 x 2 teeth
- 2 Pean Artery Forceps, 13.0cm
- 1 Grooved Director, 14.0cm
- 1 Trachea Dilator
- 2 Iterson Trachea Retractors, blunt
- 1 Bose Trachea Retractor, sharp left hand side
- 1 ditto, right hand side
- 1 Luer Trachea Tube, Standard
- 1 ditto
- 1 Cleaning Brush



OI 27-7541-00
 200 x 100 x 40mm

TRACHEOTOMY SET

OI 27-7541-00

complete in metal case 200 x 100 x 40 mm, with 2 perforated trays of 18/8 s/s containing the following instruments:

- 1 Scalpel Handle No. 4, with blade No. 20
- 1 Scalpel Handle No. 4, with blade No. 23
- 3 Scalpel Blades, assorted, in perforated small case.
- 1 Small case for above Scalpel Blades
- 1 Dressing Forceps, serrated, 13.0cm
- 2 Tissue Forceps, 1 x 2 teeth, 13.0cm
- 4 Crile Artery Forceps, straight, 14.0cm
- 1 Grooved Director, 14.0cm
- 1 Trousseau Trachea Dilator, 14.0cm
- 2 Iterson Trachea Hooks, blunt
- 1 Bose Hook, sharp, left hand side, 16.0cm
- 1 ditto, right hand side, 16.0cm
- 1 Luer Trachea Tube, size 2.6mm diam.
- German Silver.
- 1 ditto, size 4.8mm diam, German Silver.
- 1 Cleaning Brush, 12mm diam. 26.0cm

